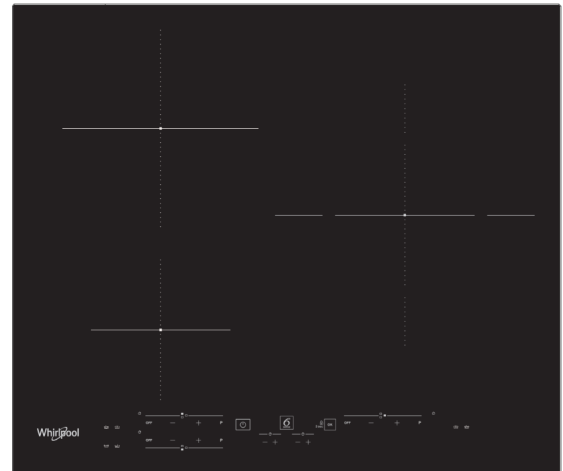


60cm Built-in 3-Zone Induction Hob

Design	
Type	60cm Built-in Induction Hob
Cooking Zones	3
Color / Finish	Black Schott Glass
Control	Touch control
Location of Control Panel	Front
Product Weight	8.8kg
Product Dimension	W 590mm x H 54mm x D 510mm
Performance	
Functions	6th SENSE with 4 automatic functions: Keep Warm / Melting / Simmering / Boiling, 3 Induction Cooking Zones
Features	Power On Indicator, Residual Heat Indicator, Timer, Pan Detection, Control Panel Lock, Power Management, Acoustic Signal On/Off, Zero-gap Structure, Easy Installation
Power	7,200w 9 levels + booster
Front Left Heating Element	145mm, 1200W (1600W)
Rear Left Heating Element	210mm, 2100W (3000W)
Right Heating Element	280mm, 2100W (3600W)
Technical Specification	
Energy Input	Electric
Power Voltage	220-240V, 50/60Hz
Current	31.3A
Power Management	2.5kW, 4.0kW, 6.0kW, 7.2kW
Length of Power Cord	120cm
Product Dimension	W 590mm x H 54mm x D 510mm
Packaging Dimensions	W 670mm x H 120mm x D 600mm
Gross Weight	9.8kg
Net Weight	8.8kg
Country of Origin	Italy



Features & Benefits

	<p><6TH SENSE Functions> Always achieve perfect results effortlessly, with 4 pre-set functions that can automatically set the heat level when selecting the cooking method.</p>
	<p><Induction Technology> Induction technology heats the pan, not the hob, reducing energy dispersion as well as achieving faster and energy-efficient cooking.</p>
	<p><Booster> Thanks to the Booster function which the cooking zones of the hob are equipped with, boiling times are significantly reduced.</p>
	<p><Easy Installation> The hob comes with a thinner platform, the zero-gap structure lays down directly on the worktop and with minimum worktop thickness.</p>
	<p><Control Panel Lock> Featuring a control panel lock system to prevent toddlers and children from accidentally using the hob.</p>

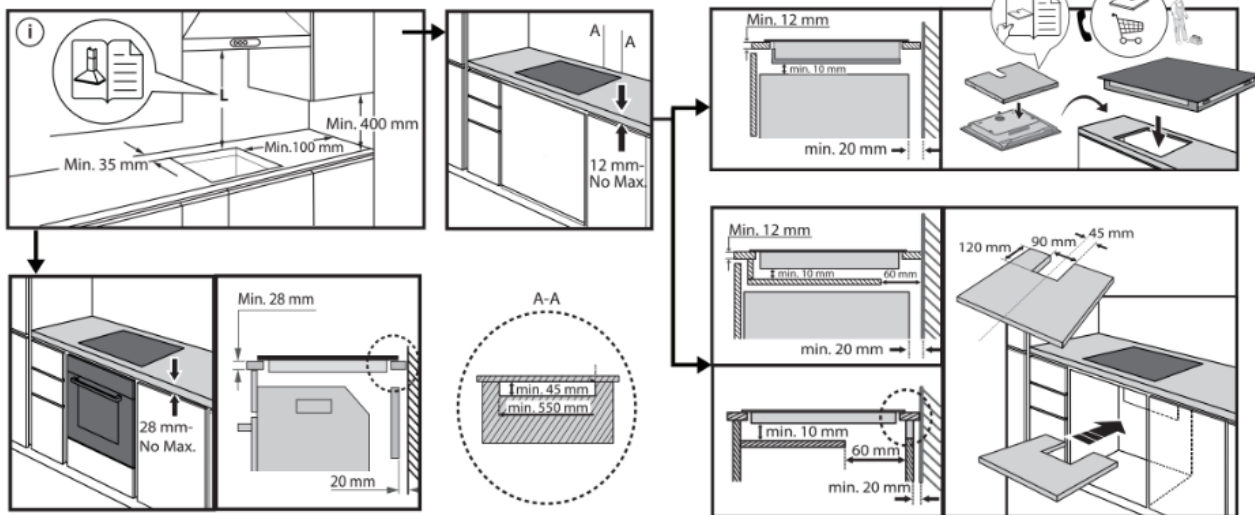
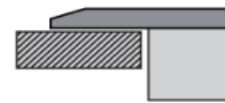
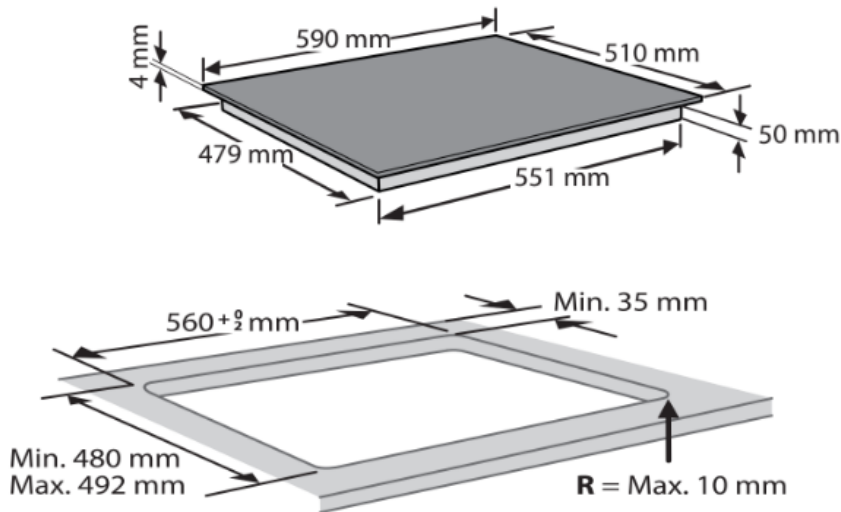
Warranty

2 years (exclude Commercial Use)

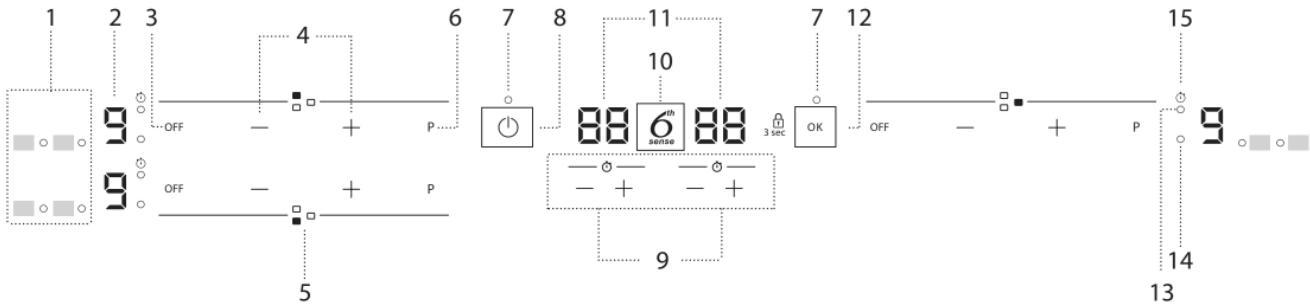
60cm Built-in 3-Zone Induction Hob

Installation Information

Product Dimensions	W 590mm x H 54mm x D 510mm
Cut Out Dimensions	As indicated in below illustration



Control Panel



- 1. Symbols/activation of special functions
- 2. Cooking level selected
- 3. Cooking zone off button
- 4. Power adjustment buttons
- 5. Identifying the cooking zone

- 6. Fast heating button (Booster)
- 7. Indicator light – function active
- 8. On/Off button
- 9. Timer
- 10. 6th Sense button

- 11. Cooking time indicator
- 12. OK/Key lock button – 3 seconds
- 13. Timer active indicator
- 14. Zone selection indicator
- 15. Timer indicator symbol