

5WQ24NIQABK | EAN: 4895120711792

594L Four Door Refrigerator Freezer



Design	
Colour/Finish	Black Stainless Steel Color
Display	LED Digital Touch UI
Control	Electronic
Door / Handle Design	Horizontal pocket handle FC and RC
Interior Lighting	LED
Net Capacity	594 liters
Net Weight	131kg
Dimensions	W 910 mm x H 1875mm x D 710mm
Performance	
Features	6th Sense FreshLock & 6th Sense FreezeLock, Zen Inverter, Flexi Freeze, Fast Freezing & Fast Cooling, 800mm inner width for flexible storage, HFO High Efficiency Foaming Technology, Adjustable Shelf & Door Bin, Built-in Deodorizing System, Drawers with polyformaldehyde design, Flexi Slide Tray, Vegetable Compartment, Movable Ice Twister, Total No Frost, Holiday Mode, Child Lock, Door Open Alarm
Compressor Type	Inverter
Refrigerant	R600a
Refrigerator	
Total Volume	388 liters for RC
Compartments	- Gradual LED Light - Air Tower - 3 pcs front & back framed glass shelves - 2 pcs Crispers / drawers - 6 pcs door bins
Freezer	
Total Volume	103 liters for FC
Compartments	103 liters for FC with flexi freeze - 1 pcs Ice maker twister - 2 pcs Pull Out tray - 4 Freezer Drawer
Consumption Rates	
Energy Consumption	464kWh / year
Energy Rating	3 Tick for SG
Accessories	
IFU, Energy label, Removable ice maker	



Features & Benefits

<p>&lt;6th Sense Fresh Lock&gt; Preserve food for longer in a natural way. 6th SENSE Technology, powered by an Inverter Compressor ensures precise and consistent temperature control. When the temperature changes, a sensor activates the Compressor that quickly restores it.</p>
<p>&lt;6th Sense Freeze Lock&gt; 6th SENSE Technology minimizes temperature fluctuations in the freezer, reducing freezer burns and preserving the quality of food</p>
<p>&lt;Flexi Freeze&gt; The spacious FlexiFreeze compartment adapts to your needs, allowing you to select the correct temperature level for what you are storing. Soft Freeze -7 °C, avoid the defrosting process for frozen food you will eat within a week. You can place food directly from the freezer into the pan. Mild Freeze -12°C keeps ice cream and desserts ready to serve. Deep Freeze -18°C, preserve nutritional value of food for longer.</p>
<p>&lt;Zen Inverter Technology&gt; With Zen Inverter Technology, this Whirlpool Ref will adjust the compressor operation to achieve the cooling performance in a short time and meanwhile to save energy and electricity. ZEN Inverter Technology makes operation more silent, it avoids the noise generated in traditional compressors on-off.</p>
<p>&lt;Total No Frost&gt; Save Energy and forever forget about defrosting. Smart sensors inside the cavity will track temperature within the fridge and activate the defrost mode only when needed</p>
<p>&lt;Fast Freezing&gt; The Fast Freezing option accelerates the freezing process with a blast of frozen air to better preserve frozen dishes.</p>

5WQ24NIQABK | EAN: 4895120711792

## 594L Four Door Refrigerator Freezer



### Recommended Retail Price

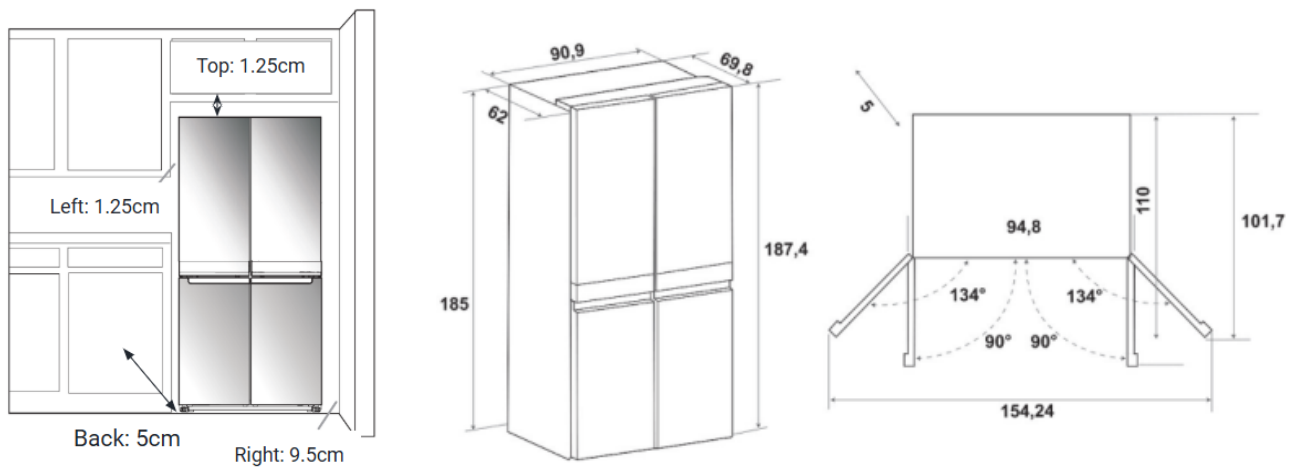
TBC

### Other relevant local information

### Technical Specifications

Climate Class	T class
Voltage	220 - 240 vac
Plug Type	UK plug with Safety Mark
Length of Electrical Cord	180 cm
Packaging Dimensions	W 987mm x H 1976mm x D 768mm
Gross Weight	140kg
Place of Manufacture	China

### Installation Information



The dimension is marked in centimeters.